



LOCOMOTOR SLING RANGE USER INFORMATION SHEET

These instructions apply to the following slings:

The LOCOMOTOR SLING Polyester

LOCO-016, LOCO-016H, LOCO-017, LOCO-017H, LOCO-018, LOCO018H

The LOCOMOTOR SLING Mesh

LOCO-021, LOCO-021H, LOCO-022, LOCO-022H, LOCO-023, LOCO-023H

The LOCOMOTOR SLING Deluxe Polyester

LOCO-130, LOCO-130H, LOCO-131, LOCO-131H, LOCO-132, LOCO-132H

The LOCOMOTOR SLING Deluxe Mesh

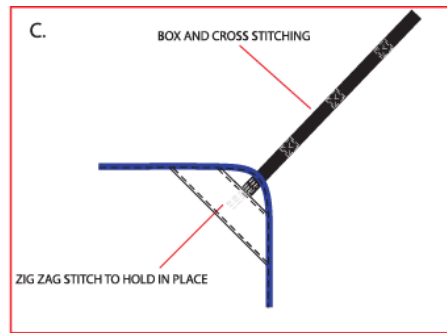
LOCO-026, LOCO-026H, LOCO-027, LOCO-027H, LOCO-028, LOCO-028H

**IMPORTANT: PLEASE RETAIN THIS USER INFORMATION SHEET
WITH THE PRODUCT AND REFER TO IT BEFORE USE.**

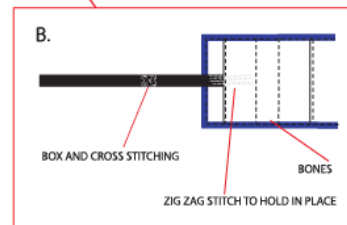
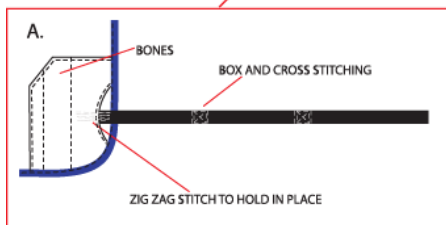
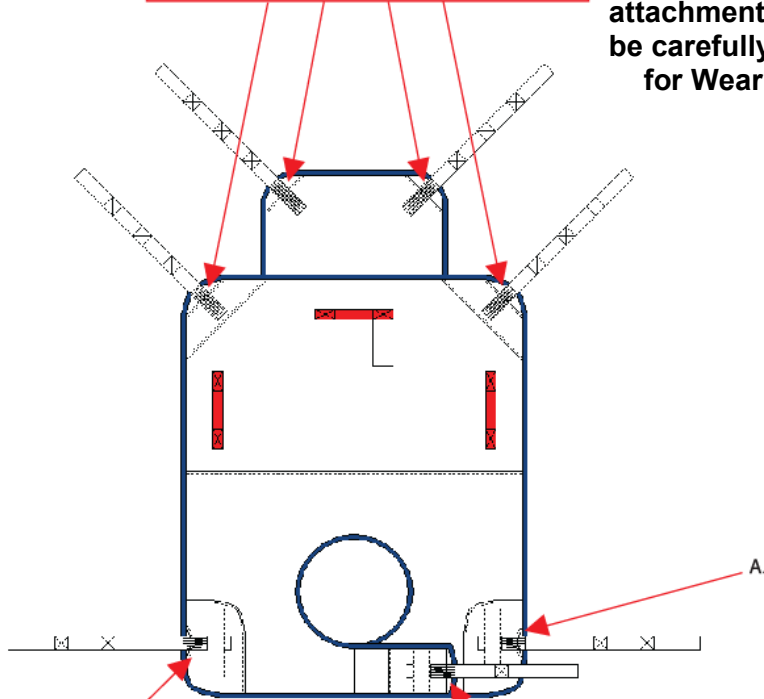
For more information contact the company you purchased the product from
or contact customer services at:

Select Healthcare (UK) Ltd, Unit 2, Albert Road,
Rushden, Northants. NN10 0BU
Tel: 01933 411 729 Fax: 01933 410 213
Email: info@selecthealthcare.co.uk

The LOCOMOTOR SLING RANGE has been designed to be compatible with all hoists with a standard spreader bar configuration. They are not suitable for use with hoist with a 'wish-bone' shaped spreader bar or those that require buckle fastening.



NOTE: Arrows indicate attachment points to be carefully checked for Wear & Tear



INSTRUCTIONS FOR USE

FROM A SEATED POSITION

Sit the patient forward and position the sling so that the top of the commode aperture is level with the seat the patient is sitting on.

Ensure that the sling is centrally positioned.

Take the leg straps under each thigh ensuring that there is no creasing or rucking. Cross the leg straps by feeding the inner webbing loop of one leg strap through the first loop of the other one.

Take the outside webbing loop of each leg strap and pass it through the inner loop of each leg strap.

Attach the leg straps and shoulder straps (and head straps if applicable) to the hoist spreader bar.

Note: A more upright position for the patient is achieved by keeping the leg straps long and the shoulder straps short. The position may be varied by using the different adjustments on each webbing loop.

Caution: When raising the patient in the hoist ensure that the brakes are off; this reduces any swinging that may occur and allows the hoist to find its own centre of gravity for a safe lift.

Also, ensure that the sling is not creased or rucked underneath the patient and that the sling is free from all obstacles.

FROM A LYING POSITION

Roll the patient onto the sling ensuring that the top of the commode aperture is level with the base of the spine.

Cross the leg straps in the same way as for hoisting a patient from a seated position.

Refer to the Usage Guidance diagram overleaf for further information.

SPECIFICATION

Material: White 100% knitted polyester. 100% polyester webbing.

Colour code to denote size: Red is Small; Yellow is Medium and Green is Large.

Handles on back of sling to facilitate positioning.

All slings have been tested to EN10535:2006 and comply with the Medical Devices Directive 93/42/EEC Class 1.

CARE & USE

Wash at 71°C using a propriety detergent for at least 3 minutes with an additional 4-8 minutes for mixing of the load to ensure the entire load is subjected to the temperature for the appropriate period of time. Do not use biological detergents. Short spin. Do not tumble dry.

These instructions must be observed- failure to do so may affect the performance and safety of the sling.

It is recommended that the sling is laundered before it is used by a different patient.

STORAGE

We would recommend that slings are stored in dry conditions, away from direct heat and moving objects.

INSPECTION

This sling must be inspected before each use for wear and tear paying particular attention to the following:

Check all stitching on straps, strap attachment and the main body of the sling (including box and zigzag stitching) – **DO NOT USE** if there are any signs of the thread coming loose, missing or frayed.

Check condition of straps for wear and tear – **DO NOT USE** if any webbing is frayed, discoloured, distorted or not securely attached.

Check condition of fabric for wear and tear - **DO NOT USE** if the fabric is showing any signs of wear, cuts, tears or fraying.

If wear and tear as described above is found, the sling must be inspected by a competent person before any further use may be considered.

Depending on the level of use all slings must be periodically inspected by a competent person and in any event at least every 6 months.

NOTE

All patient moving and handling tasks should be carried out in accordance with approved patient handling techniques and after a full assessment of the patient, the equipment, task and the environment in which the operation is to take place.

**Safe working load of 203 Kg (32 stones).
SEE DIAGRAM OVERLEAF FOR USAGE GUIDANCE.**