

## **PATIENT HOIST**

**ENSURE THESE INSTRUCTIONS ARE FULLY READ AND UNDERSTOOD BEFORE USE.**

**PLEASE KEEP IN A SAFE PLACE FOR FUTURE REFERENCE.**

**HEALTH AND SOCIAL SERVICES**

**THESE INSTRUCTIONS SHOULD BE LEFT WITH THE USER OF THE LOCOMOTOR ESCORT HOIST TO CONSULT AS REQUIRED.**

### **CONTENTS**

**PACKING LIST**  
**TECHNICAL SPECIFICATION**  
**APPROVED SLING LIST**  
**SPARE PART LIST**

**Always charge battery when not in use.**

**BEFORE USE READ 1.3 NOW**



Select Healthcare (UK) Ltd  
Unit 2 Albert Road  
Rushden  
Northants  
NN10 0BU Tel: 01933 411729 Fax: 01933 410213

# LOCOMOTOR ESCORT 160

## LOCO –099 USER MANUAL

Page2

### PACKING LIST

All fully assembled hoists are tested and given a certificate, before being partially dismantled for packing in a strong purpose built carton, to ensure safe delivery of your hoist. Please retain the carton if possible.

Inside this carton you will find the following:

- A. Battery (Item 1 )
- B. Hand Control (Item 3 )
- C. Chassis Assembly (Item 4 )
- D. Mast Assembly (Item 5)
- E. Charger (Item 7 )
- F. Test Certificate \*
- G. User Manual

\* The **TEST CERTIFICATE** is valid for **ONE** year and can be used for your insurance records. Once the first year has expired, the Locomotor ESCORT Hoist will require a new inspection and re-testing for the next year; you can arrange this through your supplier. In cases of any difficulty, please contact the manufacturer directly for the name and telephone number of your nearest service dealer.



Select Healthcare (UK) Ltd  
Unit 2 Albert Road  
Rushden  
Northants  
NN10 0BU Tel: 01933 411729 Fax: 01933 410213

Designed and Developed by: Proto Magic Innovations Ltd Page 2 ISSUE 3 ESCORT INSTRUCTIONS V13 29/01/2010

# LOCOMOTOR ESCORT 160 LOCO -099 USER MANUAL

Page3

## ELECTRICAL REQUIREMENTS

The following details are required for the battery charger that is supplied with the hoist:-

### FOR APPLIANCES SUPPLIED WITH FITTED PLUG.

If the socket outlets in your home are not suitable for the plug supplied with your battery charger, it should be removed and the appropriate plug fitted. **NOTE:** The plug removed from the mains lead, if severed, must be destroyed as a plug with bared flexible cord is hazardous if engaged into a live socket outlet.

### FITTING A PLUG

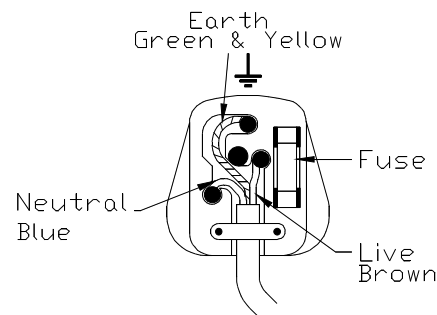
**WARNING: THE CHARGER MUST BE EARTHED**

**WARNING: THE CHARGER MUST NOT BE USED IN A BATHROOM**

### IMPORTANT

The wires in the mains lead are coloured in accordance with the following code:

Green / Yellow	=	Earth
Blue	=	Neutral
Brown	=	Live



If you fit your own plug and the colours of the wires in the mains lead do not correspond with the markings identifying the terminals on your plug proceed as follows:-

The wire which is coloured Green and Yellow must be connected to the terminal in the plug marked E or with the earth symbol, or coloured Green or Green and Yellow. The wire which is coloured Brown must be connected to the terminal in the plug which is marked with the letter L or coloured Red. The wire coloured Blue must be connected to the terminal in the plug which is marked with the letter N or coloured Black.

Before connecting to the mains, check that the supply voltage is the same as that shown on the charger. A three pin plug must be used with a 3A fuse. If a BS1363 fused plug is used it should be fitted with a BS1362 3A fuse.

If your house supply has two pin sockets or you are in any doubt, consult a competent electrician.



Select Healthcare (UK) Ltd  
Unit 2 Albert Road  
Rushden  
Northants  
NN10 0BU Tel: 01933 411729 Fax: 01933 410213

Designed and Developed by: Proto Magic Innovations Ltd Page 3 ISSUE 3 ESCORT INSTRUCTIONS V13 29/01/2010

# LOCOMOTOR ESCORT 160

## LOCO –099 USER MANUAL Page4

### 1. Getting Started with your Locomotor ESCORT Hoist

- 1.1. Remove all items from the carton.
- 1.2. Identify the items and their quantities against the packing list.
- 1.3. Plug the battery charger (7) into a 13 amp mains socket and switch on. A green light will indicate mains input to the charger (8). Place battery (1) into the charger (7), the amber light (9) will indicate that battery is charging. When the battery is fully charged the amber light will go out.

### 2. Assembly of your Locomotor ESCORT Hoist (See diagram)

**This item is for reference only as the hoist comes fully assembled on a pallet**

- 2.1. Place the base chassis (4) on a level floor.
- 2.2. Locate the mast assembly (5) onto the chassis spigot (10), then lock with the mast lock hand wheel (11).
- 2.3. Plug the lead for the powered leg opener (12) onto the leg actuator power socket (13) on the under side of the battery compartment(28).
- 2.4. Plug the lead for the lift actuator (18) onto the lift actuator power socket (6) on the back of the battery compartment (28).
- 2.5 Place a charged battery (1) in the battery compartment (28).
  - . Connect the hand control (3) into the socket on the battery compartment(15).
- 2.6. To dismantle for transportation, reverse the above procedure.

### 3. Using the Locomotor ESCORT Hoist.

#### 3.1. Lifting and Lowering.

Press and hold the yellow up button (16) on the hand control (3) or (17) on the battery compartment(28) to lift the client, until you have reach the required height; the actuator (18) will switch off automatically on reaching the hoist maximum height. To lower press and hold the black down button (19) on the hand control (3) or (20) on the battery compartment(28), until you have lowered the client to the required height, the actuator (18) will switch off automatically, on reaching the hoist minimum height.



Select Healthcare (UK) Ltd  
Unit 2 Albert Road  
Rushden  
Northants  
NN10 0BU Tel: 01933 411729 Fax: 01933 410213

Designed and Developed by: Proto Magic Innovations Ltd Page 4 ISSUE 4 ESCORT INSTRUCTIONS V13 29/01/2010

# LOCOMOTOR ESCORT 160

## LOCO –099 USER MANUAL Page5

### 3.2. Leg Opening.

To open the legs of the Locomotor ESCORT Hoist press the leg open button (21) on the hand control (3) or (22) on the battery compartment(28). The legs can be set in any position depending on how long the button is held for. To close the legs press the leg close button (23) on the hand control (3) or (24) on the battery compartment(28). When the legs are either fully open or fully closed they will stop automatically.

### 3.3. Brakes.

The rear castors (25) are fitted with brakes which stop the Locomotor ESCORT Hoist from moving. To operate the brakes, press on the operating button (26), using the ball of the foot (a red spot indicates the castor is locked). To unlock, press on the operating button (26), using the ball of the foot.

### 3.4. Selecting a Sling.

The Locomotor ESCORT Hoist can use a variety of slings (see approved sling list); please take care to select the best sling for the client's need.

### 3.5. Lifting from a bed.

Roll the client on to a suitable sling. Raise the boom of the hoist sufficiently to allow positioning of the hoist over the bed. Position the hoist with the chassis (4) under the bed. Ensure the brakes (26) on the castors (25) are in the off position to allow the hoist to find its own centre of gravity during the lift. Fit the sling straps to the spreader bar (27) adjust the height of the boom as necessary, using the hand control (3). Take up the weight by pressing the up button (16) on the hand control (3) making sure the sling is correctly fitted, i.e. not twisted or the wrong length and the client is comfortable. Continue lifting until the client is clear of the bed.

You can now move the Locomotor ESCORT Hoist to the transfer point, i.e. chair or commode.

**Never move unnecessary distances with the client suspended.**



Select Healthcare (UK) Ltd  
Unit 2 Albert Road  
Rushden  
Northants  
NN10 0BU Tel: 01933 411729 Fax: 01933 410213

Designed and Developed by: Proto Magic Innovations Ltd Page 5 ISSUE 4 ESCORT INSTRUCTIONS V13 29/01/2010

# LOCOMOTOR ESCORT 160

## LOCO –099 USER MANUAL

Page6

### 3.6. Lifting from a chair.

Select a suitable sling, assess the height of the client in his or her chair, and adjust the height of the boom sufficiently to go over the client and chair. Try to approach the client's chair from the side, as this is less intimidating, adjust the width of the legs to fit around the client's chair and position the hoist with the spreader bar a little in front and above the client's forehead. Ensure the brakes (26) on the castors (25) are in the off position to allow the hoist to find its own centre of gravity during the lift. Fit the sling straps to the spreader bar (27) adjust the height of the boom as necessary, using the hand control (3) take up the weight by pressing the up button (16) on the hand control (3). Place the clients feet on the footplate, either before lifting or when the slack out of the sling has been taken up. Having correctly fitted the sling, i.e. not twisted or the wrong length, and the client is comfortable, continue lifting until the client is clear of the chair.

You can now move the Locomotor ESCORT Hoist to the transfer point, i.e. chair or commode. Keep all movements as smooth as possible to make the client feel safe and secure. The legs are adjustable if necessary to pass through a doorway.

**Never move unnecessary distances with the client suspended.**

#### 3.6.a. Lowering to onto a chair.

To place the client back in the chair reverse the above procedure. The remote hand control (3) allows the attendant to stand in a good position for re-positioning the client in their chair. Using the hand holds on the sling, pull the client back in the chair whilst lowering the boom (36).

### 3.7. Lifting from the floor.

Roll the client on to a suitable sling, approach the client and position the hoist with the clients' head pointing towards the mast. At all times support the client's head and back with cushions. Lower the spreader bar (27) to a position where you can attach the straps of the sling - adjust the height of the boom (36) as necessary, using the hand control (3). Ensure the brakes (26) on the castors (25) are in the off position to allow the hoist to find its own centre of gravity during the lift. Take up the weight by pressing the up button (16) on the hand control (3). Having correctly fitted the sling, i.e. not twisted or the wrong length and the client is comfortable, continue lifting until the client is at a suitable height to transfer to a bed or chair.

You can now move the Locomotor ESCORT Hoist to the transfer point, i.e. chair, commode or the bed.

**Never move unnecessary distances with the client suspended.**



Select Healthcare (UK) Ltd  
Unit 2 Albert Road  
Rushden  
Northants  
NN10 0BU Tel: 01933 411729 Fax: 01933 410213

Designed and Developed by: Proto Magic Innovations Ltd Page 6 ISSUE 4 ESCORT INSTRUCTIONS V13 29/01/2010

# LOCOMOTOR ESCORT 160

## LOCO –099 USER MANUAL Page7

### 3.8. Moving the Locomotor ESCORT Hoist.

Always make sure the brakes are off, when moving the hoist. Try to pull the hoist (rather than push), either in a circular motion by pulling sideways on one handle, or backwards by pulling on both handles (37).

### 3.9. Emergency Lowering.

In the unlikely event of a total failure of the electrical circuits of the hoist .The hoist can be lowered using the red pull lever (30) located on the actuator (18). Make sure the client is in the position you require to lower, pull the red lever (30) upwards. The hoist will now automatically lower the client. Lowering can be stopped at any time by releasing the red pull lever. Note:- The emergency lowering requires the hoist to be loaded i.e. carrying a patient. It will not lower the spreader bar under its own weight. N.B.: The emergency lowering mechanism should only be used in an emergency and not for general lowering.

**Never move unnecessary distances with the client suspended.**



Select Healthcare (UK) Ltd  
Unit 2 Albert Road  
Rushden  
Northants  
NN10 0BU Tel: 01933 411729 Fax: 01933 410213

Designed and Developed by: Proto Magic Innovations Ltd Page 7 ISSUE 4 ESCORT INSTRUCTIONS V13 29/01/2010

# LOCOMOTOR ESCORT 160

## LOCO –099 USER MANUAL Page8

### 4. Cleaning your Locomotor ESCORT Hoist.

- 4.1. Only use a non-abrasive cleaner or disinfectant on the surfaces on the Locomotor ESCORT Hoist. i.e. Isopropyl alcohol at 70% concentration.

### 5. Using your Locomotor ESCORT Hoist Batteries

- 5.1. The Locomotor ESCORT Hoist comes with one removable battery (1), which will give up to thirty average lifts, when fully charged. If you have a second battery please make sure one battery is on charge, at all times. Otherwise place the battery on charge after use.

### 6. Some Do's and Don'ts.

- 6.1. **DO** ensure that you have read these instructions and understood them fully, including the glossary of symbols in the back of the instruction manual.
- 6.2. **DO** ensure that you carry out an inspection of the Locomotor ESCORT Hoist on a regular basis.
- 6.3. **DO** make sure that when the hoist is not in use the battery is removed and placed on charge (1) in the charger (7).
- 6.4. **DON'T** let children play with the Locomotor ESCORT Hoist.
- 6.5. **DON'T** exceed the safe working load of a 160kgs person (25 stones). There is an audible and visible warning device fitted, which will let you know if you have exceeded the weight limit. On hearing or seeing this the hoist will only allow you to lower the client, for you to reassess the situation. Doing this will re-set the overload condition.
- 6.6. **DON'T** allow the battery (1) to totally discharge, as this will drastically shorten the life of the battery (1). There is an audible and visible warning device fitted to the Locomotor ESCORT Hoist, this will bleep when you are lifting the client, as well as illuminate an indicator to let you know that the battery (1) level is low. On hearing the bleep finish the lift and change or charge the battery (1).



Select Healthcare (UK) Ltd  
Unit 2 Albert Road  
Rushden  
Northants  
NN10 0BU Tel: 01933 411729 Fax: 01933 410213

Designed and Developed by: Proto Magic Innovations Ltd Page 8 ISSUE 4 ESCORT INSTRUCTIONS V13 29/01/2010



# LOCOMOTOR ESCORT 160

## LOCO –099 USER MANUAL Page9

### 7. Trouble Shooting.

IF HOIST FAILS TO LIFT OR LOWER CHECK THE FOLLOWING:	YES	NO
a) Is the lift actuators (18) power plug (35) plugged into the lift actuator power socket (6) ? If NO plug in power plug (35) to connect lift actuator (18). If YES GO TO (b).	0	0
b) Has emergency stop switch been activated? If YES pull out emergency switch (2) to reset. If NO GO TO (c).	0	0
c) Is battery (1) correctly located in the battery compartment(28)? If YES GO TO (d).	0	0
d) Are any of the indicator lamps (31,32,33,34) on the battery compartment(28) on? If YES GO TO (e). If NO then try a newly charged battery.	0	0
e) Is green battery OK lamp (31) on the battery compartment(28) on? If YES GO TO (j).	0	0
f) Is amber change battery lamp on (32) on the battery compartment(28) on? If YES charge battery (1) or replace with fully charged battery if NO GO TO (d).	0	0
g) Is hoist bleeping and red charge battery lamp on (33) on the battery compartment(28) on? If yes charge battery or replace with fully charged battery if NO GO TO (d).	0	0
h) Is hoist bleeping and red overload lamp (34) on the battery compartment(28) on? If yes press down button (19) on hand control (3) to reset then GO TO (l).	0	0
j) Is hand control (3) plugged in securely? To hand control socket (15) If YES GO TO (m).	0	0
k) Has the maximum or minimum height been reached? If NO GO TO (m).	0	0
l) Is sling caught on legs of hoist or other obstruction, or is client over safe working load of 160kg (25 stone). If YES clear obstruction or a hoist with a larger capacity	0	0
m) If hoist is still not working <b>☎ <u>CUSTOMER SERVICE ON (01933) 411729</u></b>		



Select Healthcare (UK) Ltd  
 Unit 2 Albert Road  
 Rushden  
 Northants  
 NN10 0BU Tel: 01933 411729 Fax: 01933 410213

# LOCOMOTOR ESCORT 160

## LOCO –099 USER MANUAL Page10

### LEG OPENING WILL NOT WORK CHECK THE FOLLOWING

**YES NO**

- |   |                       |                       |
|---|-----------------------|-----------------------|
| a) Is the leg actuator power plug (12) plugged into the leg actuator power socket on battery compartment (28) ? If NO plug in power plug (12) to connect leg actuator. GO TO (b). | <input type="radio"/> | <input type="radio"/> |
| b) Make sure legs are not obstructed GO TO (c).   | <input type="radio"/> | <input type="radio"/> |
| c) Has emergency stop switch been activated? If YES pull out the emergency stop button (2) to reset. If NO GO TO (d).   | <input type="radio"/> | <input type="radio"/> |
| d) Is battery (1) correctly located in the battery compartment(28)? If YES GO TO (e).   | <input type="radio"/> | <input type="radio"/> |
| e) Are any of the indicator lamps (31,32,33,34) on the battery compartment(28) on? If YES GO TO (f). If NO then try a newly charged battery.                                      | <input type="radio"/> | <input type="radio"/> |
| (f) Is green battery OK lamp (31) on the battery compartment(28) on? If YES GO TO (j)   | <input type="radio"/> | <input type="radio"/> |
| (e) Is amber change battery lamp on (32) on the battery compartment(28) on? If YES charge battery or replace with fully charged battery GO TO (f).                                | <input type="radio"/> | <input type="radio"/> |
| f) Is hoist bleeping and red charge battery lamp on (33) on the battery compartment(28) on? If yes charge battery or replace with fully charged battery GO TO (f).                | <input type="radio"/> | <input type="radio"/> |
| g) Is hoist bleeping and red overload lamp (34) on the battery compartment(28) on? If yes press down button (19) on hand control (3) to reset then GO TO (j).                     | <input type="radio"/> | <input type="radio"/> |
| h) Is hand control (3) plugged in securely? To hand control socket (15) If YES GO TO (m).   | <input type="radio"/> | <input type="radio"/> |
| i) Are the legs fully open or closed? If NO GO TO (k).  | <input type="radio"/> | <input type="radio"/> |
| j) Are the legs caught on an obstruction, or is client over safe working load of 160kg (25 stone). If YES clear obstruction or a hoist with a larger capacity if NO GO TO (k)     | <input type="radio"/> | <input type="radio"/> |
| k) If leg opening still does not work <b><u>☎CUSTOMER SERVICE ON (01933) 411729</u></b>   |                       |                       |



Select Healthcare (UK) Ltd  
 Unit 2 Albert Road  
 Rushden  
 Northants  
 NN10 0BU Tel: 01933 411729 Fax: 01933 410213

# LOCOMOTOR ESCORT 160 LOCO –099 USER MANUAL Page11

## CHARGER WILL NOT CHARGE

- a) Check green power on lamp (7) is on. If NO replace fuse in mains plug with 3 amp fuse. If YES GO TO (c), if NO GO TO (b). O O
- b) Check mains socket is switched on then try another mains socket. If YES GO TO (c), if NO GO TO (d). O O
- c) If amber charge light does not come on when battery is inserted GO TO (d). O O
- d) If charger is still not working **☎ CUSTOMER SERVICE ON (01933) 411729**

**IF YOU ARE IN ANY DOUBT PLEASE CONSULT CUSTOMER  
SERVICE ON (01933) 411729**



Select Healthcare (UK) Ltd  
Unit 2 Albert Road  
Rushden  
Northants  
NN10 0BU Tel: 01933 411729 Fax: 01933 410213

# LOCOMOTOR ESCORT 160

## LOCO –099 USER MANUAL Page12

### MAINTENANCE SCHEDULE

<b>SLINGS *</b>	Check the sling for any damage or wear, paying particular attention to the lifting straps, and the integrity of the stitching.
<b>SPREADER BAR (27)*</b>	Make sure that there is free rotation of the spreader bar, if not, lightly lubricate using petroleum jelly. Visually check the welds.
<b>MAST ASSEMBLY (5) *</b>	Check for any damage or distortion in the handlebar, also check the welded joints for any wear or tear.
<b>CHASSIS/CASTORS (4, 38) *</b>	Check the castors are running freely and fixing bolts are secure. Check also for any damage or distortion in the chassis and again check the welds for any damage.
<b>ACTUATOR (18) MOUNTING / ANTI CRUSH</b>	Check the mounting at each end of the actuator. The push rod of the actuator automatically disconnects when an obstruction is met, check that the spreader bar lifts freely.
<b>CHARGER (7) *</b>	Check the mains cable and plug for any damage.
<b>BATTERY (1) *</b>	Check for damage to the casing, where the battery may have been dropped, paying particular attention to the integrity of the weld joints. Charge regularly follow the rule of putting the battery on charge after using the hoist and leaving it on charge when the hoist is not in use. <b>DO NOT ALLOW BATTERY TO BECOME COMPLETELY DISCHARGED!</b>
<b>HAND CONTROL (3)</b>	Check that all the buttons work correctly. Check that the cable exit is secure at the bottom of the control.
<b>COVERS &amp; PADS *</b>	Check for any damage (i.e. holes, cuts, etc.).
<b>CLEANING *</b>	Use a non-scratch cleaning agent (i.e. Isopropyl alcohol at 70% concentration), avoid wetting any electrical parts.
<b>MANUAL LOWERING RELEASE LEVER</b>	Load the hoist with a typical patient load pull red release lever (30 ) and make sure the hoist lowers on its own.
<b>LOAD TEST</b>	This test is be undertaken only by an authorised service dealer; who will undertake the Load Test in accordance with the manufacturers test procedures.
<b>CERTIFICATION</b>	On a satisfactory completion of the Load Test a <b>TEST CERTIFICATE</b> will be issued.  <b>YOUR INSURANCE COMPANY WILL INSIST ON THIS CERTIFICATE!</b>

**\*BE VIGILANT! THESE CHECKS ONLY TAKE 2 MINUTES, SO DO THEM REGULARLY, IT IS IN BOTH YOUR CLIENTS INTEREST AND YOURS TO DO SO.**



Select Healthcare (UK) Ltd  
 Unit 2 Albert Road  
 Rushden  
 Northants  
 NN10 0BU Tel: 01933 411729 Fax: 01933 410213

# LOCOMOTOR ESCORT 160

## LOCO -099 USER MANUAL Page13

### TECHNICAL SPECIFICATION

STANDARDS	BS5827 (Mobile Hoists) & BS5724 Class 2 (Electrical Components)
SAFE WORKING LOAD	160Kg (25 Stones)
TESTED CAPACITY	220 Kg
MINIMUM INTERNAL WIDTH	554mm 21.8"
MINIMUM EXTERNAL WIDTH	605mm 23.8"
MAXIMUM INTERNAL WIDTH	900mm 35.4"
MAXIMUM EXTERNAL WIDTH	951mm 37.4"
MAXIMUM INTERNAL LENGTH	840mm 33.0"
MAXIMUM EXTERNAL LENGTH	1066mm 42.0"
MINIMUM HEIGHT OF CSP	820mm 32.3"
REACH AT MIN HEIGHT OF CSP	600mm 23.6"
HEIGHT OF CSP AT MAX REACH	1260mm 49.6"
MAXIMUM HOISTING REACH	785mm 30.9"
MAXIMUM HEIGHT OF CSP	1770mm 69.7"
REACH AT MAX HEIGHT OF CSP	480mm 18.9"
HOISTING RANGE	950mm 37.4"
HEIGHT OF BASE	130mm 5.1"
MINIMUM CLEARANCE	50mm 2.0"
FRONT CASTOR DIAMETER	100mm 4.0"
FRONT CASTOR WIDTH	60mm 2.3"
REAR BRAKED CASTOR DIAMETER	100mm 4.0"
REAR BRAKED CASTOR WIDTH	60mm 2.3"
TURNING RADIUS	635mm 25.0"
TYPICAL MAX HEIGHT UNDER SLING	1200mm 42.3"
WEIGHT OF CHASSIS SECTION	16.5Kg 36.3 lbs
WEIGHT OF MAST SECTION	13.6Kg 28.6 lbs
WEIGHT OF BATTERY	1.9 Kg 4.2 lbs

### ELECTRICAL TECHNICAL SPECIFICATION

#### 24 VOLT PLUG IN ELECTRICAL POWER SOURCE TYPE B

CHARGER OUTPUT VOLTAGE	27.5V DC 500 mA Max
CHARGER INPUT VOLTAGE	220V - 240V 50 Hz
PLUG TOP FUSE	1-5 Amp
ELECTRIC SHOCK PROTECTION	Class II Internal power equipment
DEGREE OF SHOCK PROTECTION	Type B
MODE OF OPERATION	10% Intermittent duty
BATTERY	24v DC Rechargeable sealed lead acid gel type
BATTERY CAPACITY	2 AH

FULLY CHARGED NEW BATTERIES WILL OFFER UP TO 30 AVERAGE CYCLES, HOWEVER REGULAR CHARGING IS RECOMMENDED.  
 "LOW BATTERY AUDIBLE WARNING DEVICE" FITTED.  
 "OVERLOAD AUDIBLE WARNING DEVICE" FITTED.  
 ACTUATOR IS FITTED WITH A SAFETY NUT AND ANTI CRUSH DISENGAGEMENT DEVICE AND MANUAL EMERGENCY LOWERING DEVICE .

Product Code	Description	Size
--------------	-------------	------



Select Healthcare (UK) Ltd  
 Unit 2 Albert Road  
 Rushden  
 Northants  
 NN10 0BU Tel: 01933 411729 Fax: 01933 410213

# LOCOMOTOR ESCORT 160

## LOCO –099 USER MANUAL Page14

SLING APPROVED LIST		
Loco-016	Locomotor Sling Polyester	Small
Loco-016H	Locomotor Sling Polyester (Head Support)	Small
Loco-017	Locomotor Sling Polyester	Medium
Loco-017H	Locomotor Sling Polyester (Head Support)	Medium
Loco-018	Locomotor Sling Polyester	Large
Loco-018H	Locomotor Sling Polyester (Head Support)	Large
Loco-021	Locomotor Sling Mesh	Small
Loco-021H	Locomotor Sling Mesh (Head Support)	Small
Loco-022	Locomotor Sling Mesh	Medium
Loco-022H	Locomotor Sling Mesh (Head Support)	Medium
Loco-023	Locomotor Sling Mesh	Large
Loco-023H	Locomotor Sling Mesh (Head Support)	Large
Loco-026	Locomotor Sling Deluxe Mesh	Small
Loco-026H	Locomotor Sling Deluxe Mesh (Head Support)	Small
Loco-027	Locomotor Sling Deluxe Mesh	Medium
Loco-027H	Locomotor Sling Deluxe Mesh (Head Support)	Medium
Loco-028	Locomotor Sling Deluxe Mesh	Large
Loco-028H	Locomotor Sling Deluxe Mesh (Head Support)	Large
Loco-030	Locomotor Toileting Sling	Small
Loco-031	Locomotor Toileting Sling	Medium
Loco-032	Locomotor Toileting Sling	Large
Loco-069	Locomotor Hammock Sling	Small
Loco-069A	Locomotor hammock sling with aperture	Small
Loco-070	Locomotor hammock sling	Medium
Loco-070A	Locomotor hammock sling with aperture	Medium
Loco-071	Locomotor Hammock Sling	Large
Loco-071A	Locomotor Hammock Sling with aperture	Large
Loco-072	Locomotor Hammock Sling	Large
Loco-079	Locomotor Universal Sling	Small
Loco-079H	Locomotor Universal Sling (Head Support)	Small
Loco-080	Locomotor Universal Sling	Medium
Loco-080H	Locomotor Universal Sling (Head Support)	Medium
Loco-081	Locomotor Universal Sling	Large
Loco-081H	Locomotor Universal Sling (Head Support)	Large
Loco-090	Locomotor Pro-Loop Disposable Sling withy Head Support	Small
Loco-091	Locomotor Pro-Loop Disposable Sling withy Head Support	Medium
Loco-092	Locomotor Pro-Loop Disposable Sling withy Head Support	Large
Loco-130	Locomotor Delux Sling Polyester	Small
Loco-130H	Locomotor Delux Sling Polyester (Head Support)	Small
Loco-131	Locomotor Delux Sling Polyester	Medium
Loco-131H	Locomotor Delux Sling Polyester (Head Support)	Medium
Loco-132	Locomotor Delux Sling Polyester	Large
Loco-132H	Locomotor Delux Sling Polyester (Head Support)	Large
Loco-887	Locomotor Select Universal Disposable Sling (S.U.D.S.)	Small
Loco-888	Locomotor Select Universal Disposable Sling (S.U.D.S.)	Medium
Loco-889	Locomotor Select Universal Disposable Sling (S.U.D.S.)	Large

If a different sling is required please contact Tel: ☎ **CUSTOMER SERVICE ON (01933) 411729**

### APPROVED SPARE PARTS LIST

Product Code	Description
LOCO-103	Battery
LOCO-104	Hand Control
LOCO-105	Charger

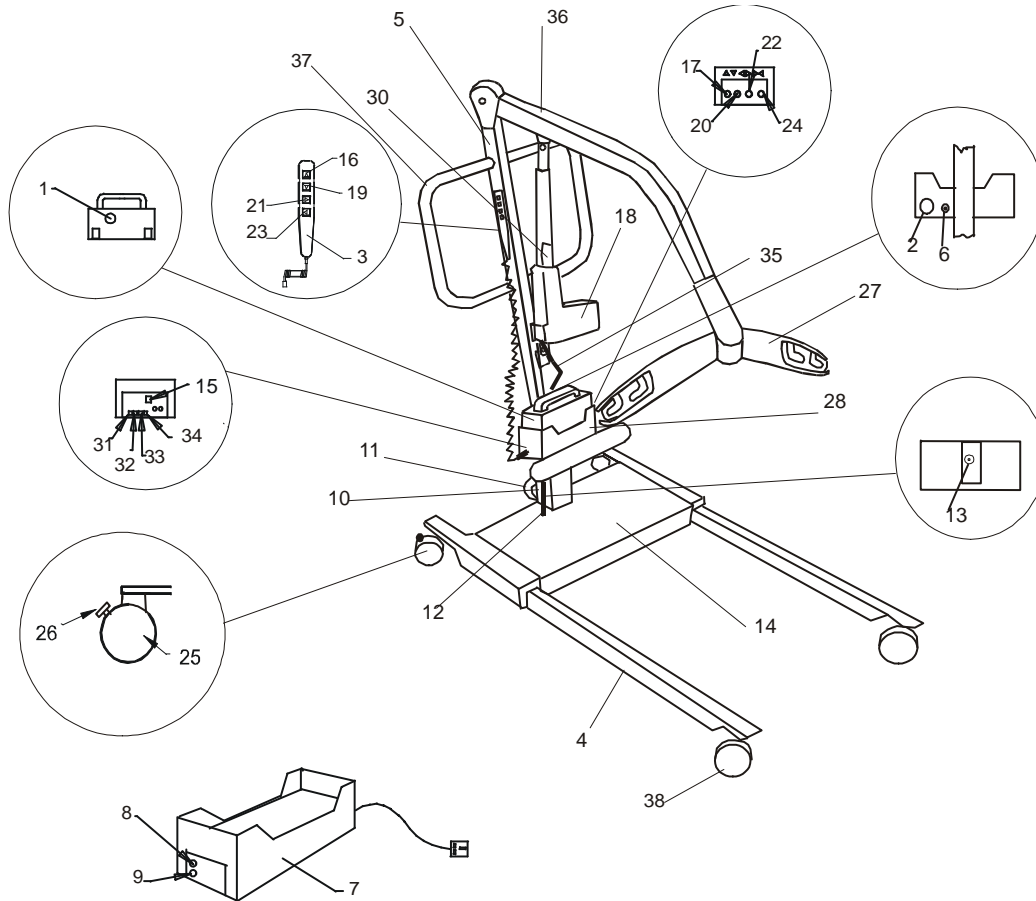


Select Healthcare (UK) Ltd  
 Unit 2 Albert Road  
 Rushden  
 Northants  
 NN10 0BU Tel: 01933 411729 Fax: 01933 410213

# LOCOMOTOR ESCORT 160

## LOCO -099 USER MANUAL

### Diagram



- |   |   |
|---|---|
| <ul style="list-style-type: none"> <li>1 Battery</li> <li>2 Emergency stop</li> <li>3 Hand control</li> <li>4 Chassis assembly</li> <li>5 Mast assembly</li> <li>6 Lift actuator power socket</li> <li>7 Charger</li> <li>8 Green power on L.E.D.</li> <li>9 Amber battery charged L.E.D.</li> <li>10 Chassis spigot</li> <li>11 Mast lock Handwheel</li> <li>12 Leg actuator lead and power plug</li> <li>13 Leg actuator power socket</li> <li>14 Foot plate</li> <li>15 Hand control socket</li> <li>16 Up button hand control</li> <li>17 Up button lift controller</li> <li>18 Lift actuator</li> <li>19 Down button hand control</li> </ul> | <ul style="list-style-type: none"> <li>20 Down button lift controller</li> <li>21 Legs open button hand control</li> <li>22 Legs open button lift controller</li> <li>23 Legs close button hand control</li> <li>24 Legs close button lift controller</li> <li>25 Rear castors</li> <li>26 Brake button</li> <li>27 Spreader bar</li> <li>28 Battery compartment</li> <li>30 Emergency lowering lever</li> <li>31 Green power on L.E.D.</li> <li>32 Amber low battery warning L.E.D.</li> <li>33 Red very low battery warning L.E.D.</li> <li>34 Red over load warning L.E.D.</li> <li>35 Lift actuator lead and power plug</li> <li>36 Boom</li> <li>37 Push pull handles.</li> <li>38 Front castor</li> </ul> |
|---|---|



**Select Healthcare (UK) Ltd**  
 Unit 2 Albert Road  
 Rushden  
 Northants  
 NN10 0BU Tel: 01933 411729 Fax: 01933 410213

### GLOSSARY



Attention consult accompanying documents before use.



Refer servicing to servicing personnel only.



Recyclable product.



Lead acid battery.



Do not dispose of in the bin.



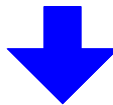
Do not dispose of in a fire.



Do not allow the Battery to get wet.



Up.



Down.



Lock.



Full battery.



Low battery.



Flat battery.



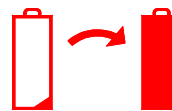
Overload - check weight and make sure sling is not trapped.



Hand controller socket.



Mains on.



Charging.



Alternating current.

Direct



current.



Unlock



Select Healthcare (UK) Ltd  
 Unit 2 Albert Road  
 Rushden  
 Northants  
 NN10 0BU Tel: 01933 411729 Fax: 01933 410213



**GLOSSARY**

